

PROMOTION!

Valid until January 31, 2022

THE MITUTOYO PROMOTION



CALIPERS/MICROMETERS



No. 530-122
~~37 €~~
 Promo price: 27,90 €



No. 505-730
~~104 €~~
 Promo price: 79,90 €

No.	Range [mm]	Accuracy [mm]	Reading	Graduation [mm]	Depth bar	Remarks	List price €	Promotion price €
530-101	0-150	±0,05	Vernier	0,05	Flat	Standard type (0,05 mm)	31,00	24,90
530-108	0-200	±0,05	Vernier	0,05	Flat	Standard type (0,05 mm)	80,00	59,90
530-109	0-300	±0,08	Vernier	0,05	Flat	Standard type (0,05 mm)	192,00	149,00
530-122	0-150	±0,03	Vernier	0,02	Flat	Standard type (0,02 mm)	37,00	27,90
530-123	0-200	±0,03	Vernier	0,02	Flat	Standard type (0,02 mm)	62,00	45,90
530-124	0-300	±0,04	Vernier	0,02	Flat	Standard type (0,02 mm)	192,00	149,00
505-730	0-150	±0,03	Dial	0,02	Flat	Dial: 2 mm/revolution	104,00	79,90
505-731	0-200	±0,03	Dial	0,02	Flat	Dial: 2 mm/revolution	210,00	159,00



No. 103-913-50
~~503 €~~
 Promo price: 399 €



103-138



No. 103-139-10
~~92 €~~
 Promo price: 74.90 €



103-140-10

No.	Range [mm]	Accuracy [mm]	Reading	Graduation [mm]	Remarks	Certificate of inspection	List price €	Promotion price €
103-138	25-50	±2	analog	0,01	Standard type	■	70,00	56,90
103-139-10	50-75	±2	analog	0,01	Standard type		92,00	74,90
103-140-10	75-100	±3	analog	0,01	Standard type		100,00	79,90
103-913-50	0-150		analog	0,01	Outside micrometer set	0-25, 25-50 mm	503,00	399,00

Optional accessories

No.	Designation	Remarks	List price €	Promotion price €
156-101-10	Micrometer stand	Adjustable angle type up to 100 mm range	59,00	47,90

AFFORDABLE CALIPER AND MICROMETER SET

Take advantage and buy our top products in a premade set for an even better deal!

> Sets (No. PROMOXXX) are delivered as single products

Caliper+Micrometer Set

No.	Designation	List price €	Promotion price €
PROMO001	Vernier Caliper 150 mm	80,00	59,90
	Outside Micrometer Economy Design 0-25 mm		



No. 516-963-10
~~1.429 €~~
Promo price: 999 €



CHARACTERISTICS OF MITUTOYO STEEL GAUGE BLOCKS

- > Outstanding dimensional stability: Mitutoyo steel gauge blocks are made exclusively from artificially aged material.
- > High gauge reliability: Mitutoyo gauge blocks can be a useful standard for a long time due to their high dimensional stability.
- > The maximum permitted length changes to gauge blocks over a year are defined in EN ISO 3650. Mitutoyo high-quality gauge blocks easily meet these and all other requirements.
- > Steel gauge blocks are excellent for use as a standard because of the low measurement uncertainty.
- > Mitutoyo steel gauge blocks have top-quality surfaces, guaranteeing high wringing force.

Block allocation 47		
Size	Step	Quantity
1,005	-	1
1,01-1,19	0,01	19
1,2-1,9	0,1	8
1-9	1	9
10-100	10	10

No.	Blocks/set	Material	Grade	Accuracy	Certificate of inspection	List price €	Promotion price €
516-962-10	47	Steel	0	EN ISO 3650	■	1.858,00	1.399,00
516-963-10	47	Steel	1	EN ISO 3650	■	1.429,00	999,00
516-964-10	47	Steel	2	EN ISO 3650	■	1.218,00	899,00

ANALOG / DIAL TEST INDICATORS

No. 2046AB-60
~~120 €~~
 Promo price: 96,90 €



No.	Range [mm]	Graduation [mm]	Design	Scale	Stylus length [mm]	Remarks	List price €	Promotion price €
2046AB-60	10	0,01	Dial indicator	0-100(100-0)		IP64	120,00	96,90
2310AB-10	10	0,01	Dial indicator	0-100(100-0)		Coaxial revolution counter	71,00	53,90
513-404-10E	0,8	0,01	Dial test indicator basic set	0-40-0	17,4	Including \varnothing 8 mm stem, \varnothing 2 mm carbide stylus tip	88,00	69,90
513-405-10T	0,2	0,002	Dial test indicator full set	0-100-0	15,2	Including \varnothing 4, 8 mm stem, \varnothing 1, 2, 3 mm carbide stylus tip, swivel clamp, holding bar (100 mm)	150,00	119,00
513-475-10E	0,2	0,002	Dial test indicator basic set	0-100-0	15,2	Including \varnothing 8 mm stem, \varnothing 2 mm ruby stylus tip	140,00	109,00
513-401-10E	0,14	0,001	Dial test indicator basic set	0-70-0	11,2	Including \varnothing 8 mm stem, \varnothing 2 mm carbide stylus tip	157,00	119,00

FEATURES OF DIAL INDICATORS



FEATURES OF DIAL TEST INDICATOR



ø 8 mm stem for fitting dovetails is a standard accessory

A ø 8 mm plain stem (21CAB104) that attaches to any dovetail on the frame is supplied as a standard accessory.



Stylus length on the dial face

The length of the applied stylus affects the indicator's scale factor. The appropriate length is indicated on the dial face to assist a customer with ordering the correct replacement stylus.



Attachable limit hands

As for dial indicators, Limit hands 21AAB363 (optional) can be attached to the bezel – allowing for easy identification of the upper and lower limits of tolerance.

ACCURACY SPECIFICATION

The accuracy specification is compliant with the new EN ISO 9493 standard for dial test indicators and EN ISO 463 for dial indicators.

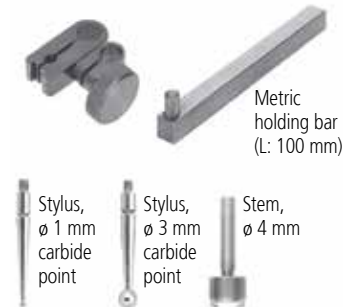
EN ISO 9493/EN ISO 463

No.	Error of indicator over a range of					
	Any 10 scale divisions/ any 1/10 revolution [µm]	Any half revolution [µm]	Any full revolution [µm]	Measuring range [µm]	Hysteresis [µm]	Repeatability [µm]
2046AB-60	5	9	10	13	3	3
2310AB-10	5	9	10	15	3	3
513-401-10E	2	3	-	3	2	1
513-404-10E	5	6	-	8	3	3
513-405-10T	2	3	-	3	2	1
513-475-10E	2	3	-	3	2	1

Set configuration

Full set: 513-405-10T

Swivel clamp (900321, for ø 4 mm, ø 8 mm, dovetail)



Basic set: 513-404-10E / 513-475-10E / 513-401-10E



Optional accessories

No.	Designation	Remarks	List price €	Promotion price €
7822	Interchangeable contact point set	For indicators	50,00	-
21AZB149	Spindle lifting lever	For dial indicators	8,00	-



Set-No. 7822 included:

- ø 5 mm flat
- ø 10 mm flat
- Needle radius 0,4 mm
- Spherical radius 7 mm
- Shell radius 2,5 mm L=5 mm
- Shell radius 2,5 mm L=10 mm

FIXTURES & STYLI

CMM FIXTURE KIT SERIES eco-fix

The Mitutoyo "eco-fix" fixture kit series is a very fast and affordable solution for clamping workpieces on the CMM. In just a few minutes your fixture is ready for measurement. Therefore, eco-fix is a very attractive alternative to customized jigs.



No. K551048
~~€ 940~~
 Promo price € 799

- > Fits all CMM brands
- > Build your individual fixture in only 20 minutes!
- > Flexible modular systems
- > Fast & affordable
- > Suitable for various different workpieces or other measuring equipment
- > Easy adaption to product changes
- > M6 thread pattern
- > Purchase one kit for each workpiece

No.	Designation	List price €	Promotion price €
K551048	eco-fix S Fixture kit for small and mid-sized workpieces. Including: Base plate 250 mm x 250 mm 58 eco-fix clamping parts, e.g. brackets, location pins, spring clips	940,00	799,00
K551549	eco-fix L Fixture kit for mid and large-sized workpieces. Including: Base plate 500 mm x 400 mm 97 eco-fix clamping parts, e.g. brackets, location pins, spring clips	1.752,00	1.499,00

CMM PALLET RECEIVER eco-fix KIT SERIES

The manual pallet receiver system for CMM enables the user to speed up and master repetitive measurements with ease. The base plate, equipped with handles and spheres on the bottom surface can be repositioned quickly and precisely on the receiver pallet.

The use of a second base plate with the same fixture can speed up serial measurements significantly. While the measurement program is running, an identical follow-up workpiece can be mounted on the fixture so the workpiece change over time can be reduced accordingly.



K551218: Application of the bottom receiver pallet system

No. K551218
~~€ 1.963~~
 Promo price € 1.679



K551218: 58 eco-fix clamping parts

No.	Designation	List price €	Promotion price €
K551218	eco-fix kit S w. loading receiver pallet Fixture kit for small and mid-sized workpieces. Including: Base plate 250 mm x 250 mm 58 eco-fix clamping parts, e.g. brackets, location pins, spring clips, receiver pallet, handles, and sphere bolts	1.963,00	1.679,00
K543812	Rack for 6 pallets	1.792,00	1.479,00



K543812: Pallet and workpiece not included

CMM eco-fix rail KIT SERIES

This Mitutoyo eco-fix rail kit is comprised of 31 pieces and includes three lightweight rails and three clamping plates that fix to the measuring table to provide a versatile, quickly adjustable foundation on which the fixture is built up.

Location pins are positioned to support the workpiece at strategic points using various types of fitment on the pin ends, such as extensions, flats, cones, square corners, and spring clips to positively locate and clamp the workpiece in the desired orientation. Location pins are screwed into tapped holes in the clamping plates, which can be slid easily up and down the rails and locked in the required positions to enable the pins to be positioned as required underneath the workpiece.

The kit is supplied in a foam storage tray with all tools needed to assemble a fixture.



K551279: Application of the eco-fix rail system



No. K551279
~~€ 1.100~~
 Promo price € 899



No.	Designation	List price €	Promotion price €
K551279	eco-fix rail kit S Fixture kit for small and mid-sized workpieces.	1.100,00	899,00

MAXIMUM PRECISION, PIONEERING INNOVATION AND CONVINCING ECONOMICS

Steel, aluminium, or ceramics? Ruby, zirconium oxide, or silicon nitride?

The Mitutoyo product line includes over 600 probe components plus highly specialized equipment to provide the best possible solution to your specific measurement needs with a sophisticated sense of touch, for measurably better results.

Find out more at www.mitutoyo.eu



CMM STYLI KITS

No.	Designation	List price €	Promotion price €
K651376	Styli Kit M2 Starter For TP20 or TP200 probe systems. Including: <ul style="list-style-type: none"> • 4 styli with tip diameters from \varnothing 1 mm to \varnothing 4 mm • 2 extensions 10 mm and 20 mm • Establish stylus lengths up to 50 mm 	144,00	119,00
K651380	Styli Kit M3 Starter For SP25M probe systems. Including: <ul style="list-style-type: none"> • 5 styli with tip diameters from \varnothing 1 mm to \varnothing 5 mm • 2 extensions 20 mm and 35 mm • Establish stylus lengths up to 55 mm 	206,00	169,00

No. K651380
~~€ 206~~
 Promo price € 169





TOBO'S d.o.o.

Peruzzijeva 127g

1000 Ljubljana

Tel.: 01 280 86 85

Fax: 01 280 86 89

info@tobos.si

www.tobos.si

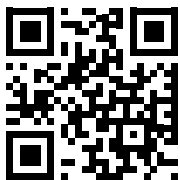
Action valid until January 31, 2022. We reserve the right to make technical changes and developments; these prices only apply to business customers; all prices are understood to be net prices in EURO + VAT -further information is obtainable from www.mitutoyo.eu.
Delivery and prices of products offered herein are valid while supplies last. Technical changes, mistakes, and printing errors excepted.



Whatever your challenges are, Mitutoyo supports you from start to finish.

Mitutoyo is not only a manufacturer of top quality measuring products but one that also offers qualified support for the lifetime of the equipment, backed up by comprehensive services that ensure your staff can make the very best use of the investment.

Apart from the basics of calibration and repair, Mitutoyo offers product and metrology training, as well as IT support for the sophisticated software used in modern measuring technology. We can also design, build, test and deliver bespoke measuring solutions and even, if deemed cost-effective, take your critical measurement challenges in-house on a sub-contract basis.



Find additional product literature and our complete catalog here.

www.mitutoyo.at



Note: Product illustrations are without obligation. Product descriptions, in particular any and all technical specifications, are only binding when explicitly agreed upon. MITUTOYO, ABSOLUTE, DIGIMATIC, OPTOEYE and U-WAVE are either registered trademarks or trademarks of Mitutoyo Corp. in Japan and/ or other countries/regions. Opti-fix is a registered trademark of KOMEG Industrielle Meßtechnik GmbH. Excel, Microsoft and Windows are either registered trademarks or trademarks of Microsoft Corporation in the United States and/ or other countries. Thiokol is a registered trademark of TORAY FINE CHEMICALS Co., Ltd. TÜV is a registered trademark of (among other holders) TÜV Rheinland AG. YouTube is a registered trademark of Google Inc. Other product, company and brand names mentioned herein are for identification purposes only and may be the trademarks of their respective holders

Mitutoyo Austria GmbH

Salzburger Straße 260/3
A-4600 Wels

Tel. +43 / (0)7242 219 998

info@mitutoyo.at

www.mitutoyo.at